

Slot Pins for Inspection Jigs

-Diamond, Taper-

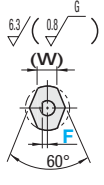
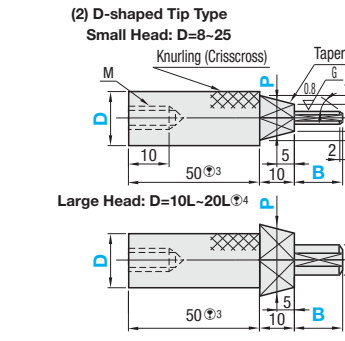
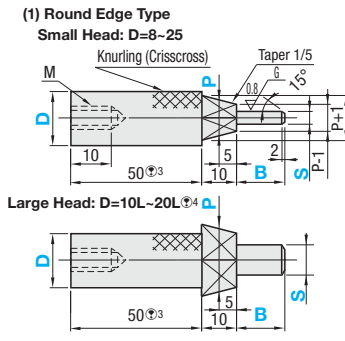
■ **Features:** Diamond-shaped Tapered Inspection Pins for Diamond-shaped work pieces. Applicable bushings: (1) Round Edge Type P.1549~1550, (2) D-shaped Tip Type P.1552



Material (M)	Hardness (H)	(1) Round Edge Type			(2) D-shaped Tip Type		
		Type	Material Code	Type	Material Code		
1.1191/C45E	-	(S _{0.02})	DTKM	(S _{0.02} / F _{0.05})	DTK		
1.1191/C45E	45HRC~	KJP	DTKMH	KJP	DTHK		
1.4301/X5CrNi18-10	-	(Sg6)	DTKMS	(Sg6 / F _{0.03})	DTKS		
1.4125/X105CrMo17	45-50HRC	KJPG	-	KJPG	DTKC		

S	g6
3.00	-0.002 -0.008
3.01 - 6.00	-0.004 -0.012
6.01 - 10.00	-0.005 -0.014
10.01 - 18.00	-0.006 -0.017
18.01 - 29.00	-0.007 -0.020

☞ Refer to the price list to select the available combination.



- ①. For electroless nickel plating, please refer to the alteration MN.
- ②. 1.4125/X105CrMo17 equivalent has an identification groove on D part.
- ③. For shorter handle length, please refer to the alteration ZC.
- ④. Dimensions not specified on the drawing are same as Small Head Type.
- ⑤. There may be a centering hole at tip and a relief groove approx. 1 mm in width (approx. 0.2mm in depth) at joint of each step. For no relief grooves, refer to the alteration NMN.

Select Type, Material Code and D Dimension.

Part Number				D	0.01mm Increment			0.1mm Increment	1mm Increment	(W)	M
(1) Round Edge Type	(2) D-shaped Tip Type	D	P		S(P-1≥S)	F(F-S/2) (2) only	B				
Type	Material Code			Type				Material Code			
(S _{0.02}) KJP	DTKM DTKMH DTKMS	(S _{0.02} / F _{0.05}) KJP	DTK DTHK DTKS DTKC	8	4.00 ~ 6.00	3.00 ~ 5.00	0.3 ~ 2.0	5-25	(For 1.4301/ X5CrNi18-10, B5SX5)	M4	
(Sg6) KJPG	DTKMS	(Sg6 / F _{0.03}) KJPG	DTKS DTKC	10	4.00 ~ 8.00	3.00 ~ 7.00	0.3 ~ 3.0				
				12	6.00 ~ 10.00	3.00 ~ 9.00	0.3 ~ 4.0				
				16	8.00 ~ 14.00	3.00 ~ 13.00	0.5 ~ 6.0				
				20	12.00 ~ 18.00	5.00 ~ 17.00	1.0 ~ 8.0				
				25	16.00 ~ 23.00	8.00 ~ 22.00	2.0 ~ 10.0				
				10L	10.00 ~ 16.00	5.00 ~ 15.00	1.0 ~ 7.0				
				12L	12.00 ~ 20.00	6.00 ~ 19.00	2.0 ~ 9.0				
				16L	16.00 ~ 25.00	8.00 ~ 24.00	2.0 ~ 11.0				
				20L	20.00 ~ 30.00	10.00 ~ 29.00	2.0 ~ 14.0				

☞ Large head type (D=10L~20L) is only available in 1.1191/C45E.

Order Example: Part Number [P] - [S] - [F] - [B]
 Type [Shape Material Code] [d] - [P] - [S] - [F] - [B]
 KJPDTK12L - P16.00 - S8.00 - F2.2 - B10

Days to Ship **8 Days** Express A 5,00 EUR/piece P88
 ☞ A Express Charge of 13,50 EUR for 3 or more identical pieces.

Price Volume Discount (Round down to one Cent) P87

Quantity	1-19	20-34	35-49	50-99
Rate	€ Unit Price	5%	10%	18%

☞ For orders larger than indicated quantity, please request a quotation.

D	(1) Round Edge Type € Unit Price					(2) Segmental Arc-Shaped Edge Type € Unit Price					
	S _{0.02}	Sg6	S _{0.02} / F _{0.05}	Sg6 / F _{0.03}		S _{0.02}	Sg6	S _{0.02} / F _{0.05}	Sg6 / F _{0.03}		
Small Head	8	KJPDTKM	KJPDTKMH	KJPGDTKM	KJPGDTKMH	KJPGDTKMS	KJPDTK	KJPDTHK	KJPGDTHK	KJPGDTKS	KJPGDTKC
	10										
	12										
	16										
	20										
Large Head	10L										
	12L										
	16L										
	20L										

Alterations Part Number [P] - [S] - [F] - [B] - (CH / KH...etc.)
 KJPDTK12 - P8.00 - S6.00 - F2.2 - B10 - CH
 KJPDTKMH16 - P8.00 - S5.00 - B15 - ZC20-KH

Alterations	Code	Spec.	Price Adder
Engraving of the Specified Characters	KF	Engraves alphabet or number. KF-MISUMI0034 [printable character] alphabet - number - (period) ☞ Not applicable to handle length 10. ☞ Engraves on the reverse side when combined with KH. ☞ Up to 8 digits. ☞ When selecting with other options, enter this last.	8,00
No Relief Groove	NMN	Clears the relief groove between knurled part and straight part on the step. ☞ Not applicable to Large Head.	3,00
Handle Length	ZC	Changes handle length to 10, 20, 30 or 40. [Ordering Code] ZC20 ☞ Handle length 10 and 20 are only available when P≥5 and pin length (10+B)≤30. ☞ For large head type, handle length 30 and 40 only are applicable. ☞ For handle length 10, there is no tapped hole. ☞ For handle length 10, combination with KH is not available.	2,00

■ Diamond, Taper
 -Diamond Configurable-
 -D=8-25 (Alteration ZC)

-D=10L-20L (Alteration ZC)

RoHS

Material ^①	Hardness	(1) Round Edge Type		(2) D-shaped Tip Type	
		Type	Material Code	Type	Material Code
1.1191/C45E	-	(S _{0.02})	DTMV	(S _{0.02} / F _{0.05})	DTV
1.1191/C45E	45HRC-	KJP	-	KJP	DTVH
1.4301/X5CrNi18-10	-	(Sg6)	-	(Sg6 / F _{0.03})	DTVS
④1.4125/X105CrMn17	45-50HRC	KJPG	-	KJPG	DTVC

S	g6
3.00	-0.002 -0.008
3.01- 6.00	-0.004 -0.012
6.01-10.00	-0.005 -0.014
10.01-18.00	-0.006 -0.017
18.01-29.00	-0.007 -0.020

① Refer to the price list to select the available combination.

(1) Round Edge Type
 Small Head: D=8-25
 Large Head: D=10L-20L^④

(2) D-shaped Tip Type
 Small Head: D=8-25
 Large Head: D=10L-20L^④

①. For electroless nickel plating, please refer to the alteration MN. ④. Dimensions not specified on the drawing are same as Small Head Type.
 ②. 1.4125/X105CrMn17 equivalent has an identification groove on D part. ⑤. There may be a centering hole at tip and a relief groove approx. 1mm in width (approx. 0.2mm in depth) at joint of each step. For no relief grooves, refer to the alteration MNM.

Select Type, Material Code and D Dimension.

Part Number				D	0.01mm Increment		0.1mm Increment	1mm Increment	0.1mm Increment	0.5mm Increment	M
(1) Round Edge Type		(2) D-shaped Tip Type			P	S(P-1±S)	F(F-S/2) (2) only	B	V (P>V V>S+1)	W(V-W)	
Type	Material Code	Type	Material Code								
(S _{0.02}) KJP	DTMV	(S _{0.02} / F _{0.05}) KJP	DTV DTVH DTVS DTVC	8	4.00-6.00	3.00-5.00	0.3-2.0	5-15	3.0-5.0	1.0-4.5	M4
				10	4.00-8.00	3.00-7.00	0.3-3.0		3.0-7.0	1.0-6.5	
				12	4.00-10.00	3.00-9.00	0.3-4.0		3.0-9.0	1.0-8.5	
				16	8.00-14.00	4.00-13.00	0.5-6.0		4.0-13.0	1.0-12.5	
				20	10.00-18.00	6.00-17.00	1.0-8.0		6.0-17.0	1.0-16.5	
(Sg6) KJPG	DTMV	(Sg6 / F _{0.03}) KJPG	DTV DTVH DTVS DTVC	25	15.00-23.00	8.00-22.00	2.0-10.0	5-25 (For 1.4301/ X5CrNi18-10, B5Sx5)	8.0-22.0	1.0-21.5	M5
				10L	10.00-16.00	5.00-15.00	1.0-7.0		5.0-15.0	1.0-14.5	
				12L	12.00-20.00	6.00-19.00	2.0-9.0		6.0-19.0	1.0-18.5	
				16L	16.00-25.00	8.00-24.00	2.0-11.0		8.0-24.0	1.0-23.5	
				20L	20.00-30.00	10.00-29.00	2.0-14.0		10.0-29.0	1.0-28.5	

① Large head type (D=10L-20L) is only available in 1.1191/C45E. ② Please select V, W and S dimension so that S dimension is smaller.

Order Example: Type: Shape Material Code D - P - S - F - B - V - W Days to Ship **8 Days** Express A 15.00 EUR/piece P88

Price: Volume Discount (Round down to one Cent) P87

Quantity	1-19	20-34	35-49	50-99
Rate	€ Unit Price	5%	10%	18%

③ For orders larger than indicated quantity, please request a quotation.

D	(1) Round Edge Type € Unit Price				(2) Segmental Arc-Shaped Edge Type € Unit Price			
	S _{0.02}	Sg6	S _{0.02} / F _{0.05}	Sg6 / F _{0.03}	S _{0.02} / F _{0.05}	Sg6 / F _{0.03}	S _{0.02} / F _{0.05}	Sg6 / F _{0.03}
Small Head	8	KJPD ⁰ TMV	KJPG ⁰ DTMV	KJPD ⁰ TV	KJPG ⁰ D ⁰ TVH	KJPG ⁰ D ⁰ TVH	KJPG ⁰ D ⁰ TVS	KJPG ⁰ D ⁰ TVC
	10							
	12							
	16							
	20							
Large Head	25							
	10L							
	12L							
	16L							

Alterations: Part Number - P - S - F - B - V - W - (CH-KH...etc.)

Alterations	Code	Spec.	Price Adder
Chain Attachment	CH	Loss-prevention chain (length 600 mm) is attached to gauge body. ① For chains only, refer to P. 1568.	5,00
Engraving of P Dimension	KH	Machines flats on knurled head and engraves P dimension. ① Not applicable to Handle Length 10.	3,00
Additional Surface Treatment (Electroless Nickel Plating)	MN	Electroless nickel plating is applied. ① Applicable to Material 1.1191/C45E only. ② Combination with STC is not available.	3,00
Additional Surface Treatment (Black Oxide)	STC	Adds Black Oxide Surface Treatment ① Applicable to Material 1.1191/C45E only. ② Combination with MN is not available.	2,00

Alterations	Code	Spec.	Price Adder
Engraving of the Specified Characters	KF	Engraves alphabet or number. Ordering Code: KF-MSJUM0034 [printable character] alphabet-number - (period) ① Not applicable to handle length 10. ② Engraves on the reverse side when combined with KH. ③ Up to 8 digits. ④ When selecting with other options, enter this last.	8,00
No Relief Groove	NMN	Clears the relief groove between knurled part and straight part on the step. ① Not applicable to Large Head.	3,00
Handle Length	ZC	Changes handle length to 10, 20, 30 or 40. Ordering Code: ZC20 ① Handle length 10 and 20 are only available when P:5 and pin length (10+B):30. ② For large head type, handle length 30 and 40 only are applicable. ③ For handle length 10, there is no tapered hole. ④ For handle length 10, combination with KH is not available.	2,00