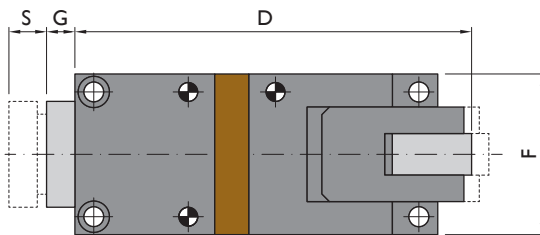
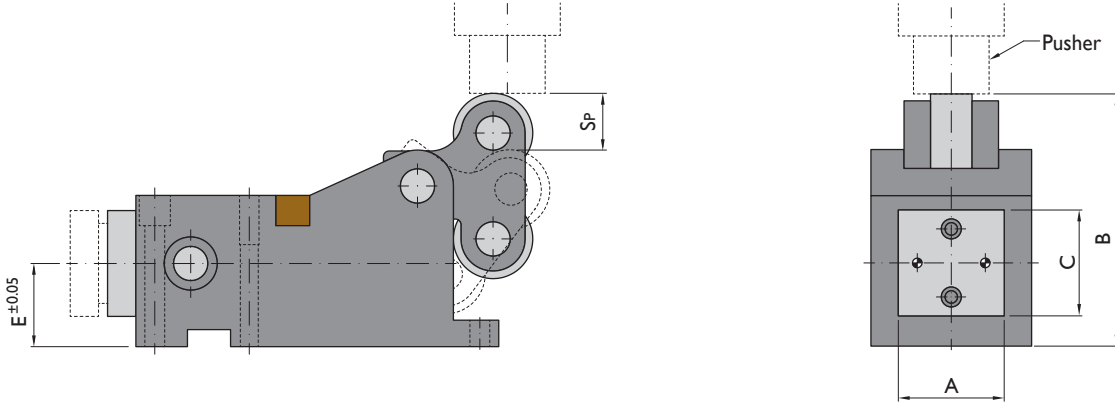
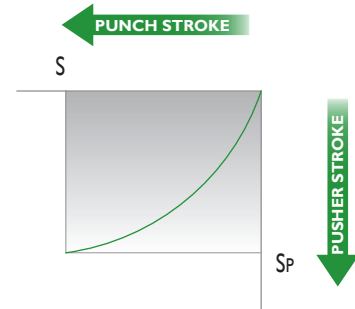




Structure for horizontal Punching Units



CAM DIAGRAM

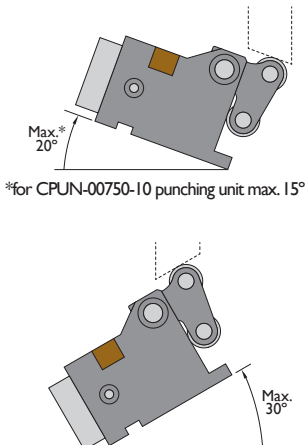


CPUN-00750-10 Cam unit is served with a punch. Maximum punch diameter supplied (6mm) if not specified.

Ordering example: 4 x CPUN-Working Force-Stroke
 4 x CPUN-01500-12

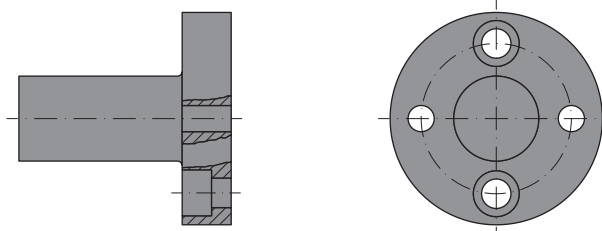
Ordering example: 4 x CPUN-00750-10 x Ø
 4 x CPUN-00750-10 x 3.2

Maximum inclination angle



Optional accessories

PUSHER*



* Only for horizontal mounting. For any other installation angle contact with NITROGAS engineering.

See dimensions on page 18.

Ordering example: SE-I

Order No.		General Dimensions											Accessories ⁽¹⁾
Model	Working Force daN	S mm	Weight kg	Spring Force daN	A mm	B mm	C mm	D mm	E mm	F mm	G mm	Sp mm	Pusher
CPUN	00750	10	0.9	40	44.5	50	44.5	80	18	44.5	20	7.5	SE-1
CPUN	01500	12	2.6	160	45	76	45	104	28	65	15	11.5	SE-1
CPUN	03500	20	4.1	310	45	84	45	152	28	75	15	24.5	SE-1
CPUN	05000	25	6.1	270	45	116	45	163.5	37	80	15	25	SE-2
CPUN	07000	38	9.2	550	56	134	56	210	44	85	15	42.5	SE-2
CPUN	10000	50	13.8	550	63	149.5	63	240.5	50	96	15	52.7	SE-3

⁽¹⁾ For more information about accessories contact with NITROGAS engineering at engineering@nitrogas.com

CPUN-20000-50 Punching Unit and Pusher available under request. For more information contact with NITROGAS engineering at engineering@nitrogas.com

<p>CPUN 20000 50</p>	
--------------------------------	--



More details about Punching Units and spare parts on our website:

<http://www.nitrogas.com/es/CPUN.aspx>