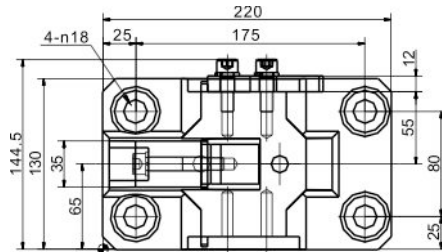
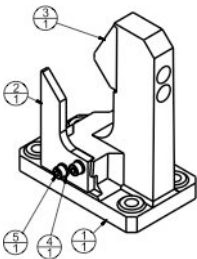
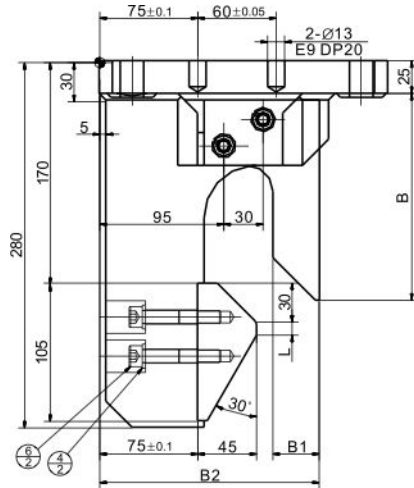
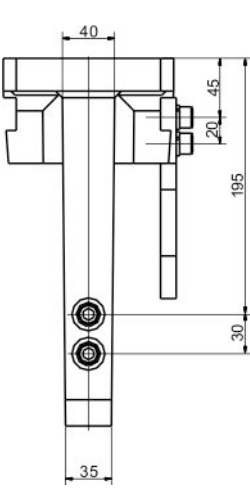


Hemming Units



LDHF, LDHG



- This drawing shows "R" type
(If "L" type was ordered, hinge pin will be assembled for the opposite direction.)
- You can check up for the applicated range of the link unit's driver from chart.

Driver	Link Units
LDHF	LUHS, LUHP45, LUHP55
LDHG	LUHC

■ Components

No.	Product Name	Material	Q'ty	Remarks
1	Base	i	GCD600	.
2	Cam Plates	i	SM45C	HRC50-
3	Cam	i	SM45C	HRC50-
4	Spring Washer	4	HSWR57	-
5	Hex.Socket Bolts	2	SCM435	M8X55
6	Hex.Socket Bolts	2	SCM435	MI 0X30

Product Code	L	B	B1	B2	B3	C	Cl
LDHF	10,15,20,25	95	32	35	112.5	50	53
LDHG		105	42	40	124.5	60	60

Product Code - 1.(10,15,20,25) - L/R Shape

Example) LUHG - 10