



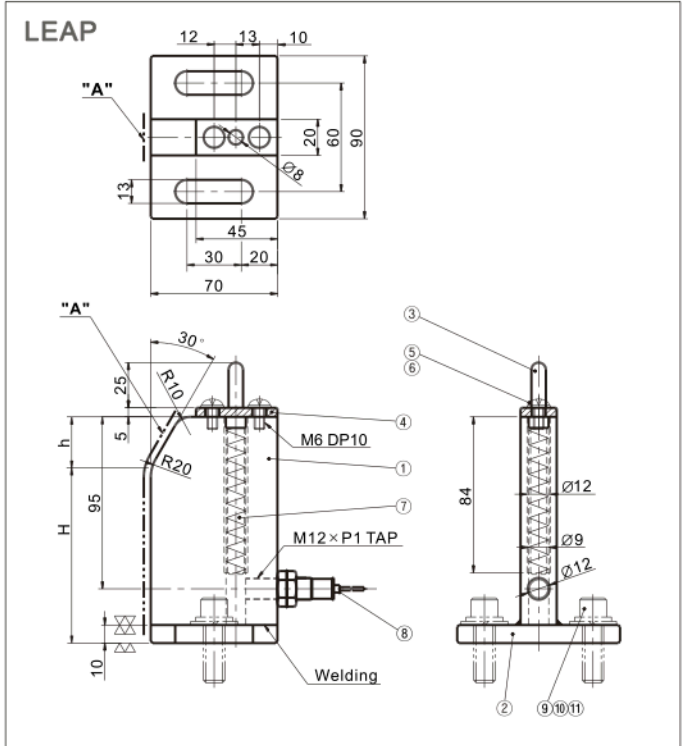
■ **Material**

SS400

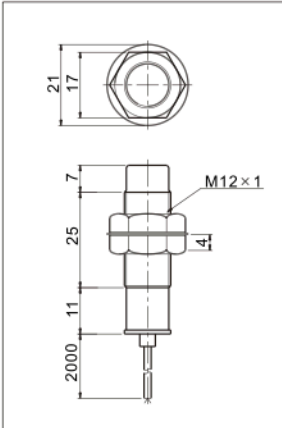
■ **Surface Treatment**

Black Oxide (Except B area)

- Blank : No surface treatment on "A" area
- Cr : "A"area(Chromium Plating)



■ **Proximity Switch Specifications**



■ **Components**

No.	Product Name	Q'ty	Material	Remarks
1	Gauge Plate(B)	1	SS400	-
2	Base Plate	1	SS400	-
3	Spring Guide Pin(F)	1	SS400	-
4	Gauge Cover Plate	1	SS400	-
5	Flat Head Phillips Screws	2	STD.	-
6	Flat Washer	2	SS400	-
7	Coil Spring	1	SWPA	-
8	Proximity Switch	1	-	-
9	Hex. Socket Head Cap Bolt	2	STD.	-
10	Flat Washer	2	SS400	-
11	Spring Washer	2	STD.	-

Product Code	H	h
LEAP	100	30, 50
	150	
	200	



Product Code - H × h - Surface Treatment

Example) LEAP - 150 × 30 - Cr