

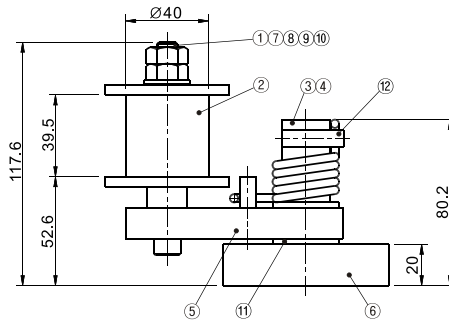
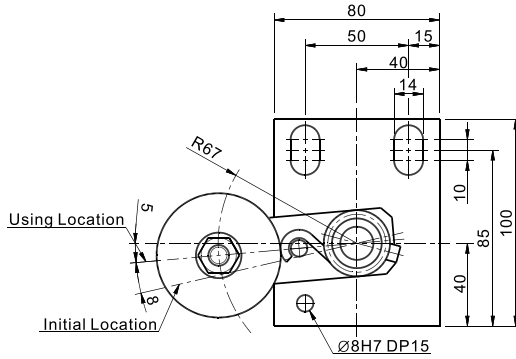


– This part guides coils on the blank mold.

■ **R/L Option**

R : Origin drawing shape
L : Symmetrical shape

LGRRE



■ **Components**

No.	Product Name	Material	Q'ty	Remarks
1	Shaft	SM45C	1	HRC20-30
2	Roller	SK5	1	HRC55-60
3	Guide Shaft	SM45C	1	-
4	Spring	SWP	1	-
5	Roller Plate	SS400	1	-
6	Plate	SS400	1	-
7	Needle Roller Bearing	-	1	NAG4901 (IKO Type)
8	Hex. Socket Bolt	SCM435	2	LBE8X20
9	Hexagon Nut	STD	2	M10
10	Plain Washer	STD	1	LWEP-10
11	Plain Washer	STD	2	LWEP-16
12	Mounting Pin	STD	2	LDE8X20



Product Code - R/L

Example) LGPRE - L