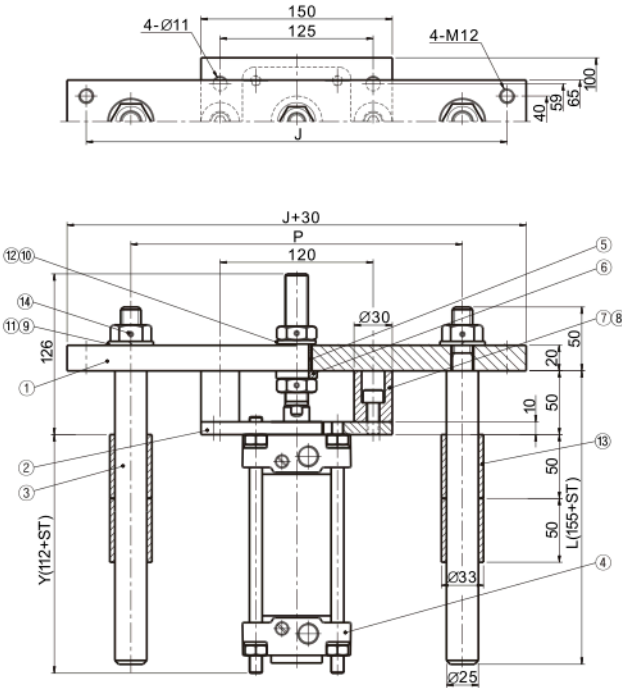


LHLC-63



■ Components

No.	Product Name	Q'ty	Material	Remarks
1	Lifter Plate	1	SS400	-
2	Plate	1	SS400	-
3	Guide Shaft	2	SM45C	-
4	Air Cylinder	1	-	63 X ST
5	Bushing	1	SS400	-
6	Ring	1	SS400	-
7	Urethane	2	Urethane	-
8	Hex. Socket Bolt	2	STD.	LBE 10X25
9	Spring Washer	2	STD.	M16
10	Plain Washer	1	STD.	M18
11	Hex. Nut	2	STD.	LNEH-16
12	Fine Screw Head Bolt	1	STD.	M18XP1.5
13	Guide Bushing	4	#50 0SP	LSB 25X50
14	Split Pin	4	STD.	LPET 3X50

Product Code	Cylinder I.D	Stroke ST	Y (112+ST)	L (155+ST)	P	J (20mm Increments)
LHLC	63	50	162	205	190	180-400
		75	187	230	220	
		100	212	255	240	
		125	237	280	260	
		150	262	305	280	
		175	287	330		

- Please specify P, J when you design



Product Code - Cylinder I.D × ST - P - J
 Example) LHLC - 63 × 100 - 240 - 300