

Hemming Units

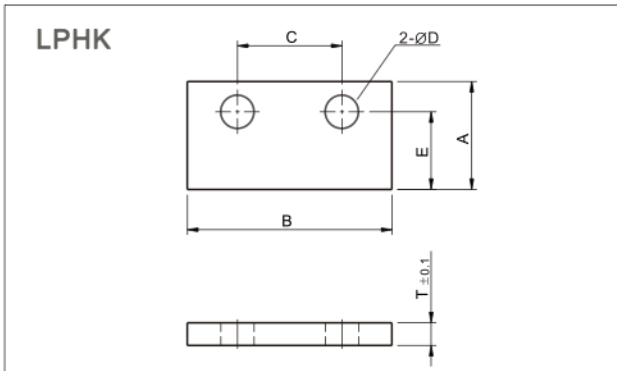
Product Code	Dg6	ℓ	M	N	L (1mm Increments)	
LPHH	25	-0.007	10	5	4	50~300
	30	-0.020				
	35	-0.009	5	5	80~400	
	40					
	45					-0.025
50				100~500		

■ Material
SM45C

■ Heat Treatment
HRC 55~



Product Code - D × L
Example) LSHH - 40 × 150



Product Code	A	B	C	D	E	T
LPHK	20	35	18	6.5	13	4.5
	25	40	20		15	

■ Material
SS400



Product Code - A
Example) LSHK - 20