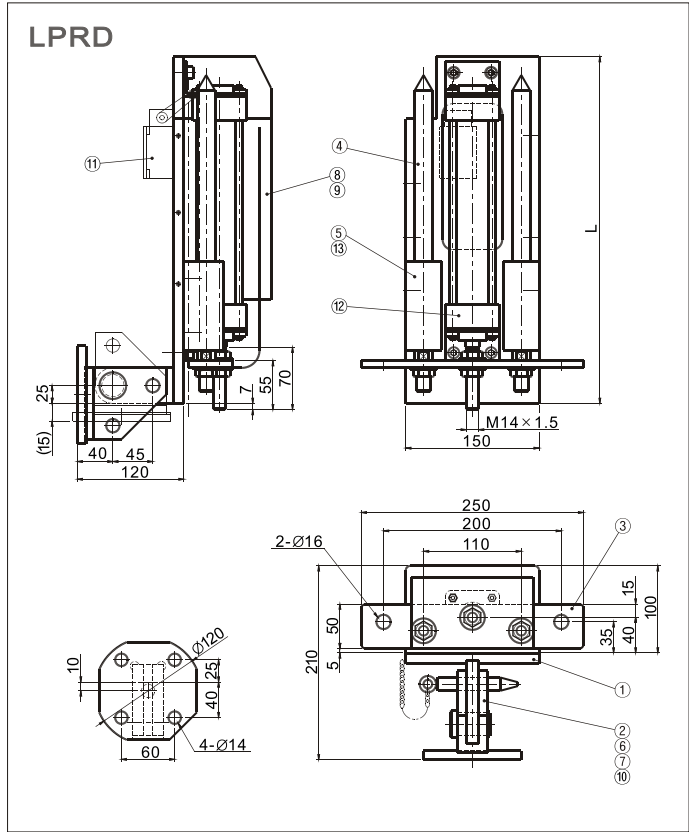




**Limit Switch**  
 Blank : Exception  
 S : Inclusion



### Components

Product Code	Stroke ST	L
LPRD	150	390
	250	490

No.	Product Name	Material	Q'ty	Remarks
1	Base Plate	SS400	1	-
2	Adaptor	SS400	1	-
3	Push Plate	SS400	1	-
4	Guide Shaft	SM45C	2	-
5	Guide Holder	SS400	2	-
6	Hinge Pin	SM45C	1	-
7	Joint	SM45C	1	-
8	Cover	SPCC	1	-
9	Cover	SPCC	1	-
10	Chain	STD.	1	LCE
11	Limit Switch	-	1	SZL-WL-AL3
12	Air Cylinder	STD.	1	40XST
13	Guide Bushing	#500SP	4	LSB



Product Code - ST Proximity Switch

Example) LPRD - 150 S