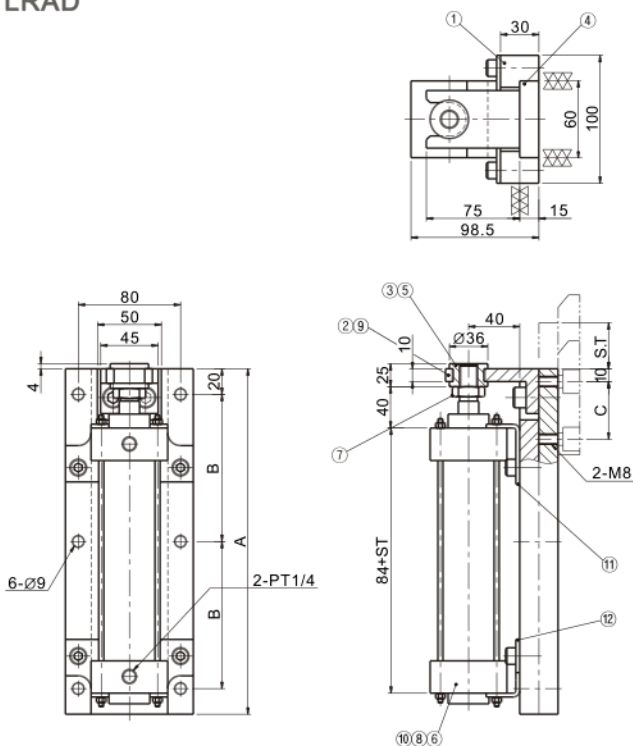


LRAD



■ Surface Treatment

Black Oxide
(9) Chromium Plating

■ Components

No.	Product Name	Q'ty	Material	Remarks
1	Guide Plate	1	GC250	-
2	Angle	1	SS400	-
3	Coupling	1	SS400	-
4	Slider	1	SM45C	-
5	Spring Pin	1	STD.	LIES 3X45
6	Air Cylinder	1	-	Ø40XST
7	Hex. Nut	1	STD.	M14X1.5
8	Hex. Socket Head Cap Bolt	4	STD.	M8X20
9	Hex. Socket Head Cap Bolt	2	STD.	LDE M12X20
10	Spring Washer	4	STD.	M8
11	Angle(Front)	1	SS400	-
12	Angle(Rear)	1	SS400	-

Product Code	Stroke ST	A	B	C
LARD	50	220	90	25
	100	270	115	45
	150	320	140	95
	200	370	165	145



Product Code - ST

Example) LRAD - 100