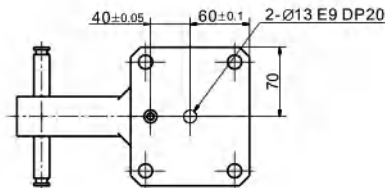
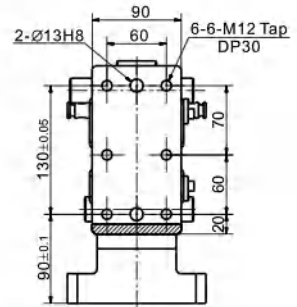
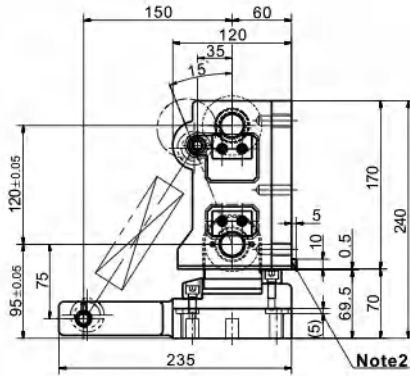
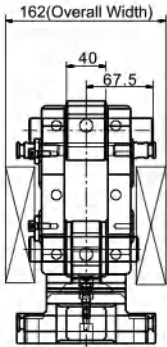
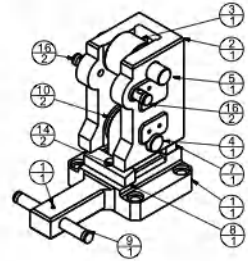
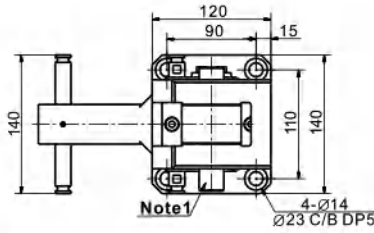




## LUHS



- This drawing shows "R" type  
(If "L" type was ordered, hinge pin will be assembled for the opposite direction.)
- J option : It will be added for the Hatch part.
- You can check up for the tensile strength of tensile spring from chart.

■ Application

Single link unit is principally applied to the specified shape where is straight line of product.

■ Components

No.	Product Name P	Material	Qty	Remarks
1	Base Plate	GCD600	1	-
2	Bracket	GCD600	1	-
3	Roller	SM45C	1	HRC50-
4	Hinge Pins A	SM45C	1	HRC50-
5	Hinge PinsB	SM45C	1	-
6	Key Plates Hinge	SS400	2	-
7	Stopper Block A	SS400	1	-
8	Stopper BlockB	SS400	1	-
9	Spring Pin	SM45C	1	-
10	Thrust Washer	#500SP	2	-
11	Oilless Bushing A	#500SP	1	-
12	Oilless Bushing B	#500SP	1	-
13	Hex. Socket Bolts	SCM435	4	M8X20
14	Hex. Socket Bolts	SCM435	2	M6X12
15	Set Screw	SCM435	1	-
16	Spring Pin	SM45C	1	-
17	Ring	SS400	4	-
18	Tension Springs	SWP-A	2	-

Free Length (mm)	Initial Displacement (mm)	Initial Tension (kg/f)	Final Displacement (mm)	Final Tension (kgf)
45	1.30	18.2X2	168.4	31.0X2



Product Code | - | ~6~ | - | L/R Shape - J Option |

Example) LUHS-15 - R -J

\* LDHA, LDHF Application Driver.